

# FIXED WALL-MOUNT CABINETS



## SRK WALL-MOUNT SERIES

The SRK Wall-Mount Series Cabinets offer reliability, value, and versatility in organizing and securing your 19" standard rack-mount servers and networking equipment. These fixed style wall mounted cabinets are a cost-effective solution when you need to mount equipment securely on the wall. They come assembled with rails that are field adjustable - tapped 12-24 or square, multiple cable management points, a built-in area for a power strip, brushed cable entry, and laser knockouts for adding fans or additional cable entry, lockable side panels, and a locking glass door.



## FEATURES

- Available in multiple heights including: 2ft., 3ft., and 4ft.
- Three depths: 8" (200mm), 18" (450mm), and 26" (650mm).
- Removable side panels make for easy moves, adds, and changes (MAC's).
- Easily integrates with accessories such as power, cooling, and cable management.
- The back panel is removable for easy installation.
- Window door comes standard and is field reversible for left or right swing.
- Lockable side panels for added security.
- Square or tapped 12-24 rails - adjustable front to rear.

## PAINT/FINISH

Textured black powder

## LOAD RATING

Varies per size. Weight capacity is dependent on secure mounting into proper structure.

## INDUSTRY STANDARDS

EIA 310-D

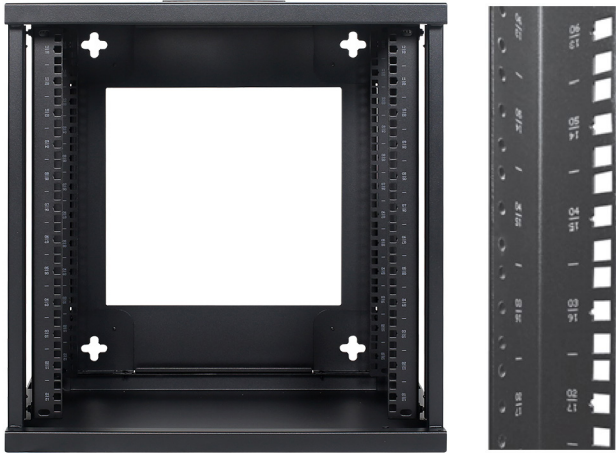


# FIXED WALL-MOUNT CABINETS



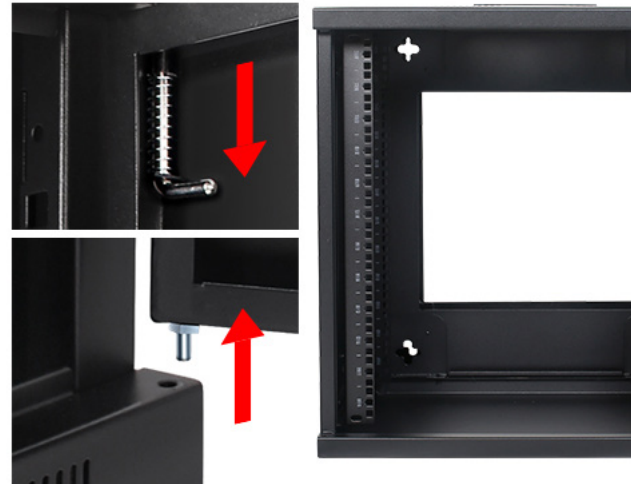
## MOUNTING RAILS

Adjustable front to rear.  
Field reversible square or tapped 12-24 hole.



## LIFT OFF DOORS

Quick release. Easy on and off. Field reversible.  
140° of rotation. Lock included.



## INTEGRATED CABLE/AIRFLOW MANAGEMENT

The top has integrated cable entry/exit points and venting provisions for the optional fan kit.



# FIXED WALL-MOUNT CABINETS



## PART NUMBERS

These cabinets come fully assembled and include: frame, window front door, side panels, two pair of reversible mounting rails, and back panel.

8" Deep Part Number	Rack Units	Overall Dimensions H x W x D* in. (mm)	Maximum Usable Depth in. (mm)	Weight Capacity lbs. (kg)
<b>BF06-630-B1A</b>	6U	13.78" x 23.32" x 7.87" (350 x 600 x 200)	5.55" (141)	135 (61)
<b>BF09-630-B1A</b>	9U	19.00" x 23.32" x 7.87" (480 x 600 x 200)	5.55" (141)	135 (61)
<b>BF12-630-B1A</b>	12U (3 ft)	24.38" x 23.32" x 7.87" (620 x 600 x 200)	5.55" (141)	250 (113)
<b>BF15-630-B1A</b>	15U	29.68" x 23.32" x 7.87" (750 x 600 x 200)	5.55" (141)	250 (113)
<b>BF18-630-B1A</b>	18U (4 ft)	34.82" x 23.32" x 7.87" (885 x 600 x 200)	5.55" (141)	300 (136)
<b>BF27-630-B1A</b>	27U (5 ft)	50.50" x 23.32" x 7.87" (1282 x 600 x 200)	5.55" (141)	400 (181)

18" Deep Part Number	Rack Units	Overall Dimensions H x W x D* in. (mm)	Maximum Usable Depth in. (mm)	Weight Capacity lbs. (kg)
<b>BF06-655-B1A</b>	6U	13.78" x 23.32" x 17.71" (350 x 600 x 450)	16.14" (410)	135 (61)
<b>BF09-655-B1A</b>	9U	19.00" x 23.32" x 17.71" (480 x 600 x 450)	16.14" (410)	135 (61)
<b>BF12-655-B1A</b>	12U (3 ft)	24.38" x 23.32" x 17.71" (620 x 600 x 450)	16.14" (410)	250 (113)
<b>BF15-655-B1A</b>	15U	29.68" x 23.32" x 17.71" (750 x 600 x 450)	16.14" (410)	250 (113)
<b>BF18-655-B1A</b>	18U (4 ft)	34.82" x 23.32" x 17.71" (885 x 600 x 450)	16.14" (410)	300 (136)
<b>BF27-655-B1A</b>	27U (5 ft)	50.50" x 23.32" x 17.71" (1282 x 600 x 450)	16.14" (410)	400 (181)

26" Deep Part Number	Rack Units	Overall Dimensions H x W x D* in. (mm)	Maximum Usable Depth in. (mm)	Weight Capacity lbs. (kg)
<b>BF06-675-B1A</b>	6U	13.78" x 23.32" x 25.59" (350 x 600 x 650)	24.00" (610)	135 (61)
<b>BF09-675-B1A</b>	9U	19.00" x 23.32" x 25.59" (480 x 600 x 650)	24.00" (610)	135 (61)
<b>BF12-675-B1A</b>	12U (3 ft)	24.38" x 23.32" x 25.59" (620 x 600 x 650)	24.00" (610)	250 (113)
<b>BF15-675-B1A</b>	15U	29.68" x 23.32" x 25.59" (650 x 600 x 650)	24.00" (610)	250 (113)
<b>BF18-675-B1A</b>	18U (4 ft)	34.82" x 23.32" x 25.59" (885 x 600 x 650)	24.00" (610)	300 (136)
<b>BF27-675-B1A</b>	27U (5 ft)	50.50" x 23.32" x 25.59" (1282 x 600 x 650)	24.00" (610)	400 (181)

\*Depth includes front door.

Optional Fan Part Number	Compatible With
<b>LW-FAN-4IN-CBK</b>	8" Deep Cabinet

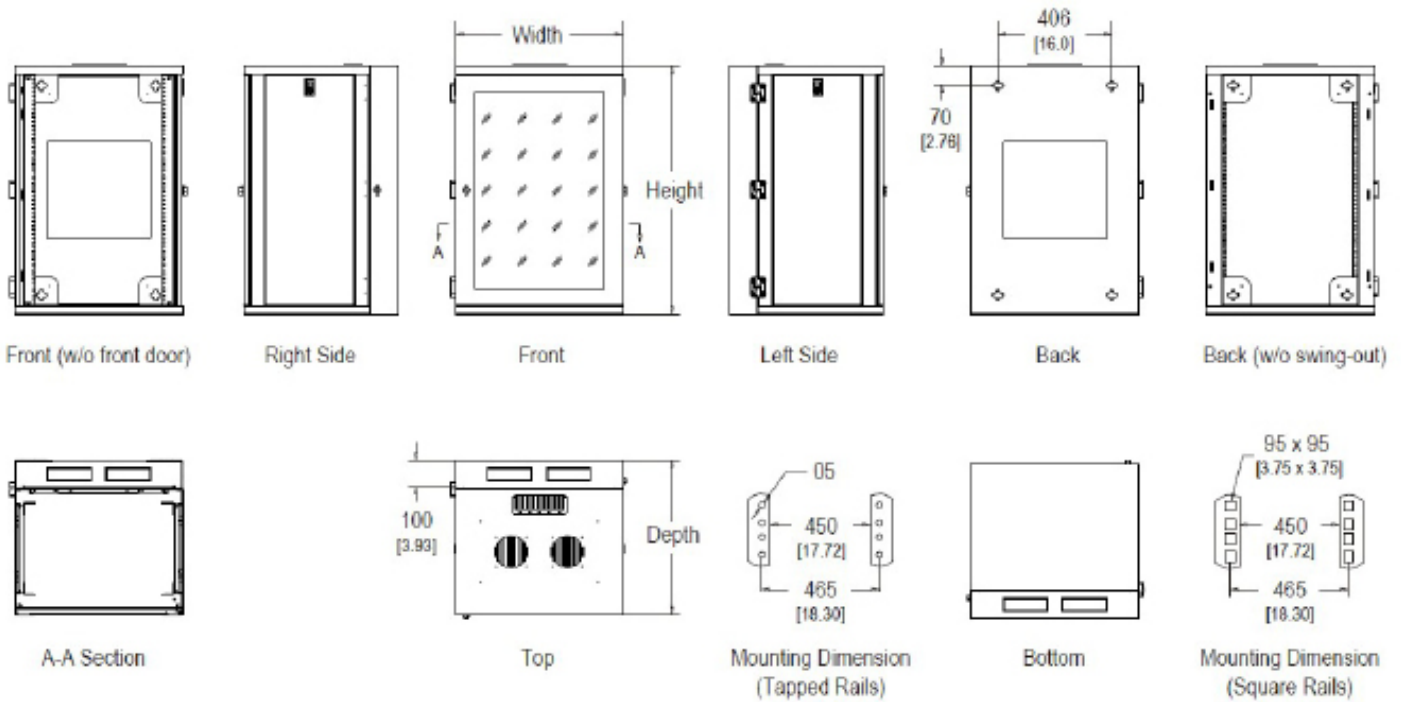
Optional Fan Part Number	Compatible With
<b>SCA-UCST-03-CBK</b>	18" Deep Cabinet 26" Deep Cabinet



# FIXED WALL-MOUNT CABINETS



## TECHNICAL SPECIFICATIONS



Three Depths 8" (200mm), 18" (450mm), and 26" (650mm)



Six Heights 6U, 9U, 12U, 15U, 18U, 27U

©2023 Karis Technologies. All rights reserved. Karis Technologies™ and the Karis Technologies logo are trademarks or registered trademarks of Karis Technologies. All other names and logos referred to are trade names, trademarks or registered trademarks of their respective owners. While every precaution has been taken to ensure accuracy and completeness here, Karis Technologies assumes no responsibility, and disclaims all liability, for damages resulting from use of this information or for any errors or omissions. Specifications, rebates and other promotional offers are subject to change at Karis Technologies' sole discretion upon notice.

